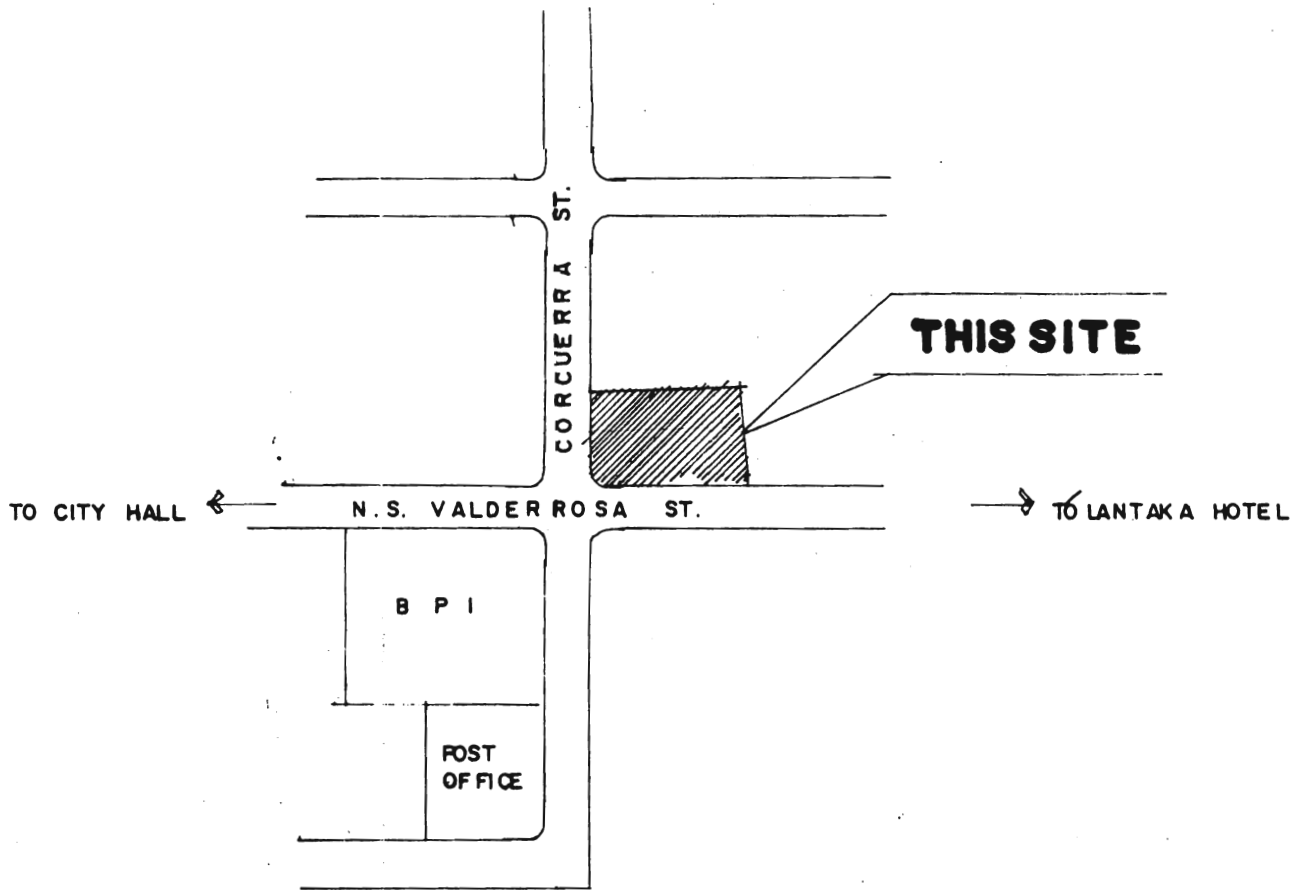


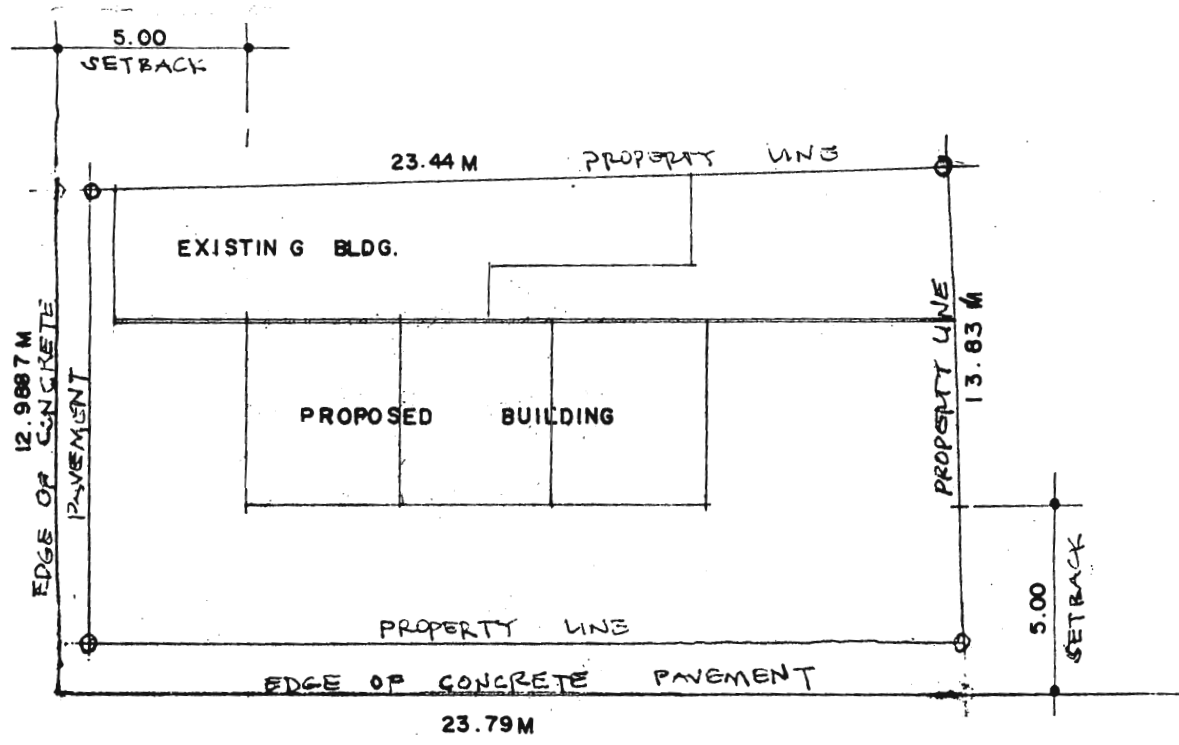


CORCUERA ST.

P E R S P E C T I V E



 **LOCATION MAP**
NOT TO SCALE



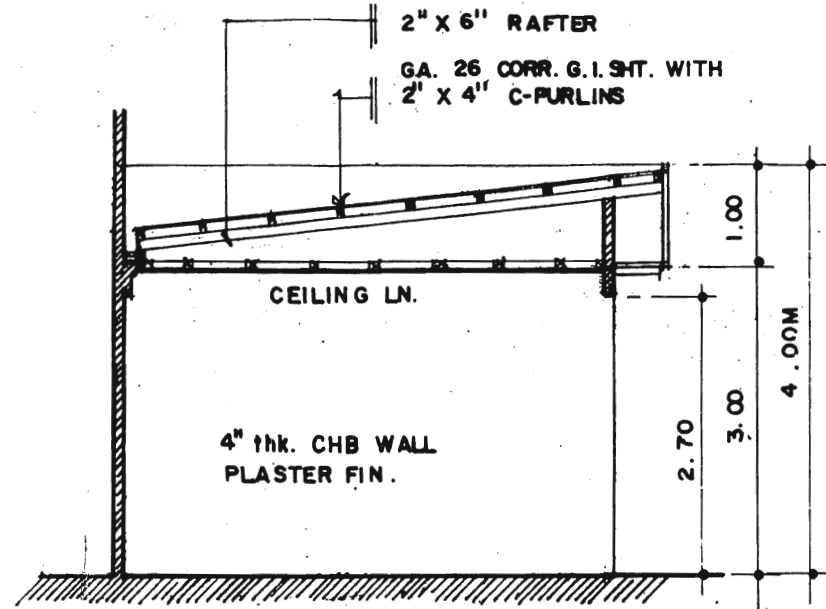
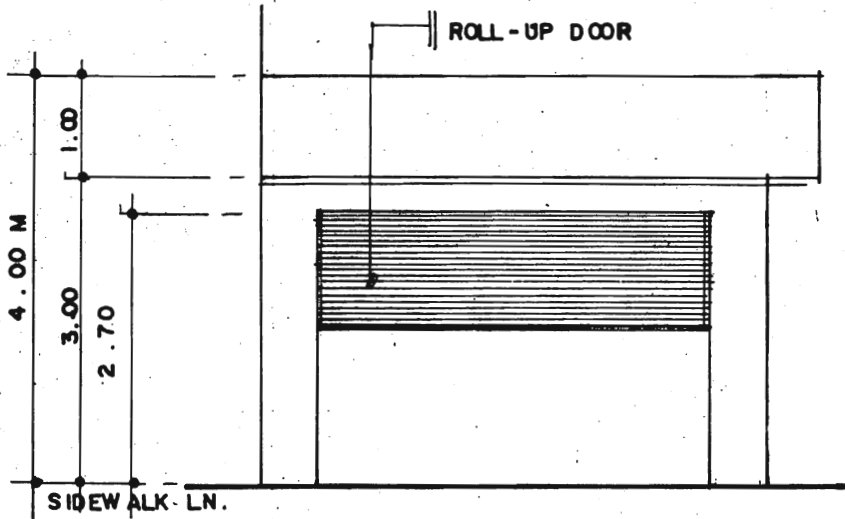
N . S . VALDERROSA ST.

SITE DEVELOPMENT PLAN

SCALE

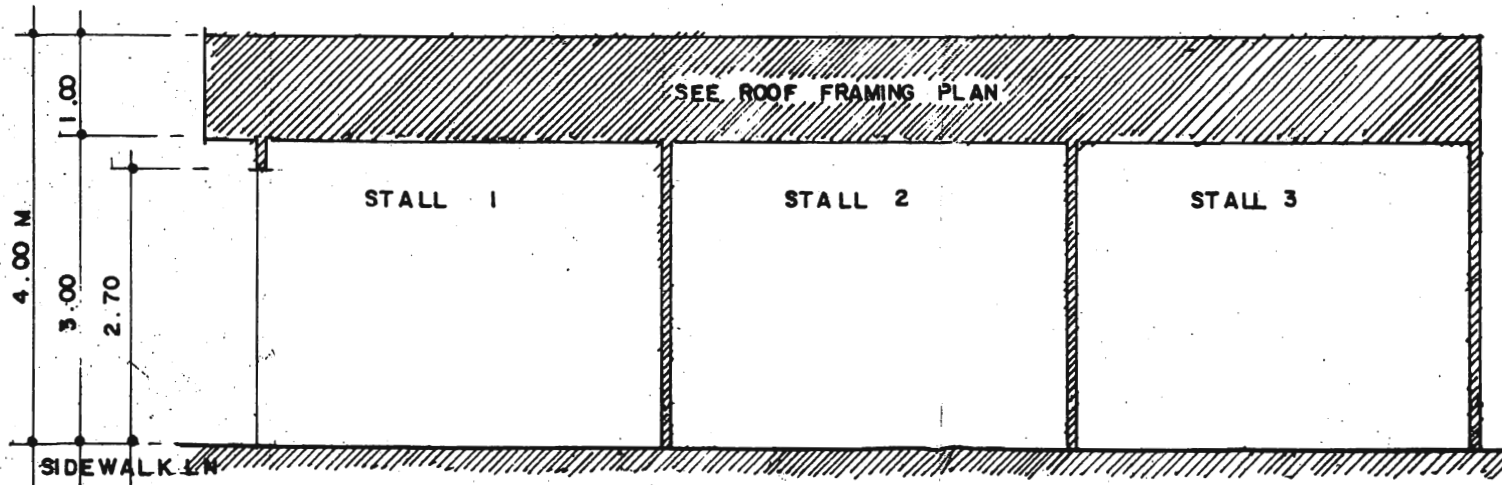
1 : 20 M

FRONT ELEVATION
SCALE 1:75 M

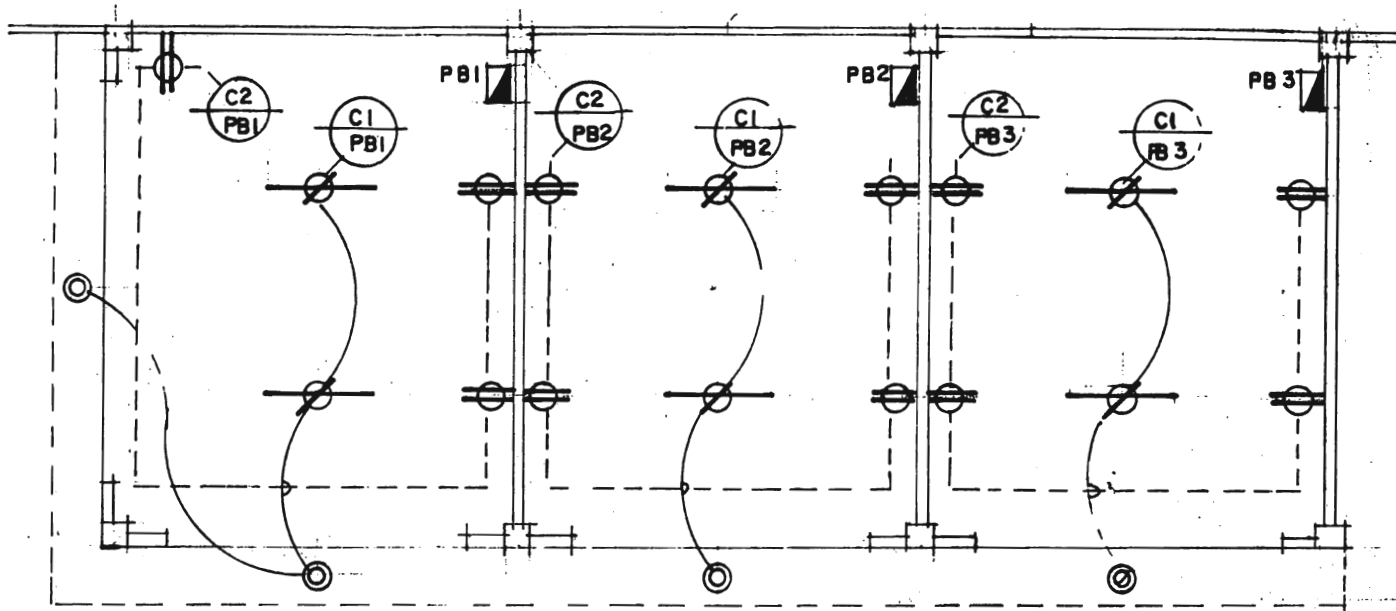


LEFT SIDE ELEVATION
SCALE 1:75 M

SECTION A
SCALE 1:75 M



SECTION B
SCALE 1:75 M



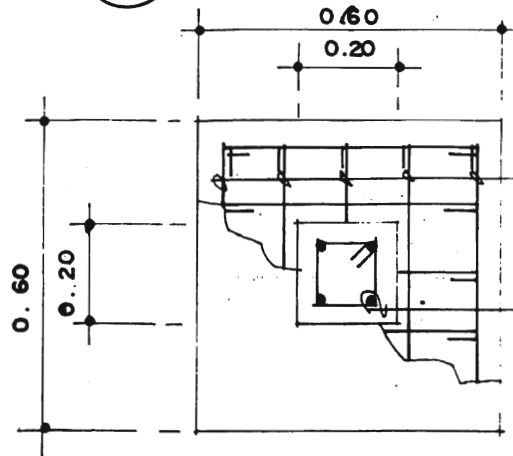
ELECTRICAL LAYOUT PLAN
 SCALE 1: 75 M

LOAD SCHEDULE								
PB NO.	CKT NO.	DESCRIPTIONS	NO. OF OUTLETS	VOLTS	WATTS	AMP /CKT	PRO. / CKT	SIZE OF WIRES & CONDUITS
1	C 1	LIGHTING OUTLETS	4	220	400	1.82	15 A	2 - 2.0 mm ² / 13mm
	C 2	CONVENIENCE OUTLETS	3	220	1080	4.91	20 A	2 - 3.5 mm ² / 13mm
2	C 1	LIGHTING OUTLETS	3	220	300	1.36	15 A	2 - 2.0 mm ² / 13mm
	C 2	CONVENIENCE OUTLETS	4	220	1440	6.55	20 A	2 - 3.5 mm ² / 13mm

ROOF FRAMING PLAN

SCALE

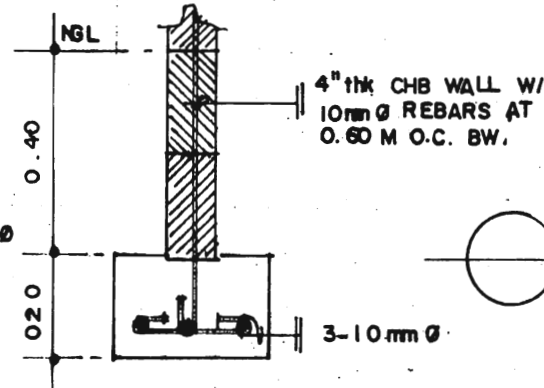
1:75 M



5-12mm Ø MATTING
BW

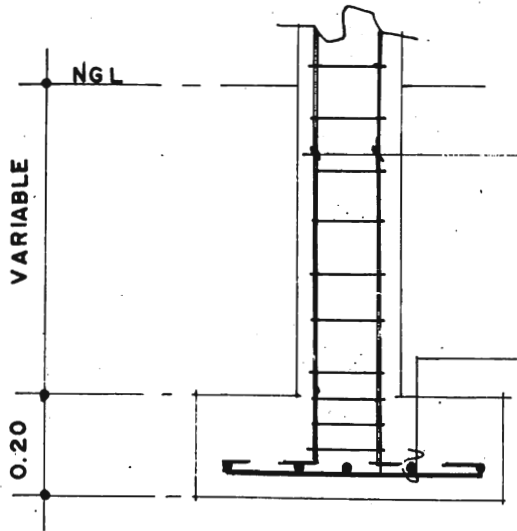
4-12mm Ø WITH 10mm Ø
TIES AT 4-0.05M,
6-0.10M REST AT
0.15M

2" X 4" C-PURLNS AT 0.70 M



WF DET.

SCALE 1:15 M



TYPICAL CI-FI DET.






SCALE 1:15 M



LB DET.

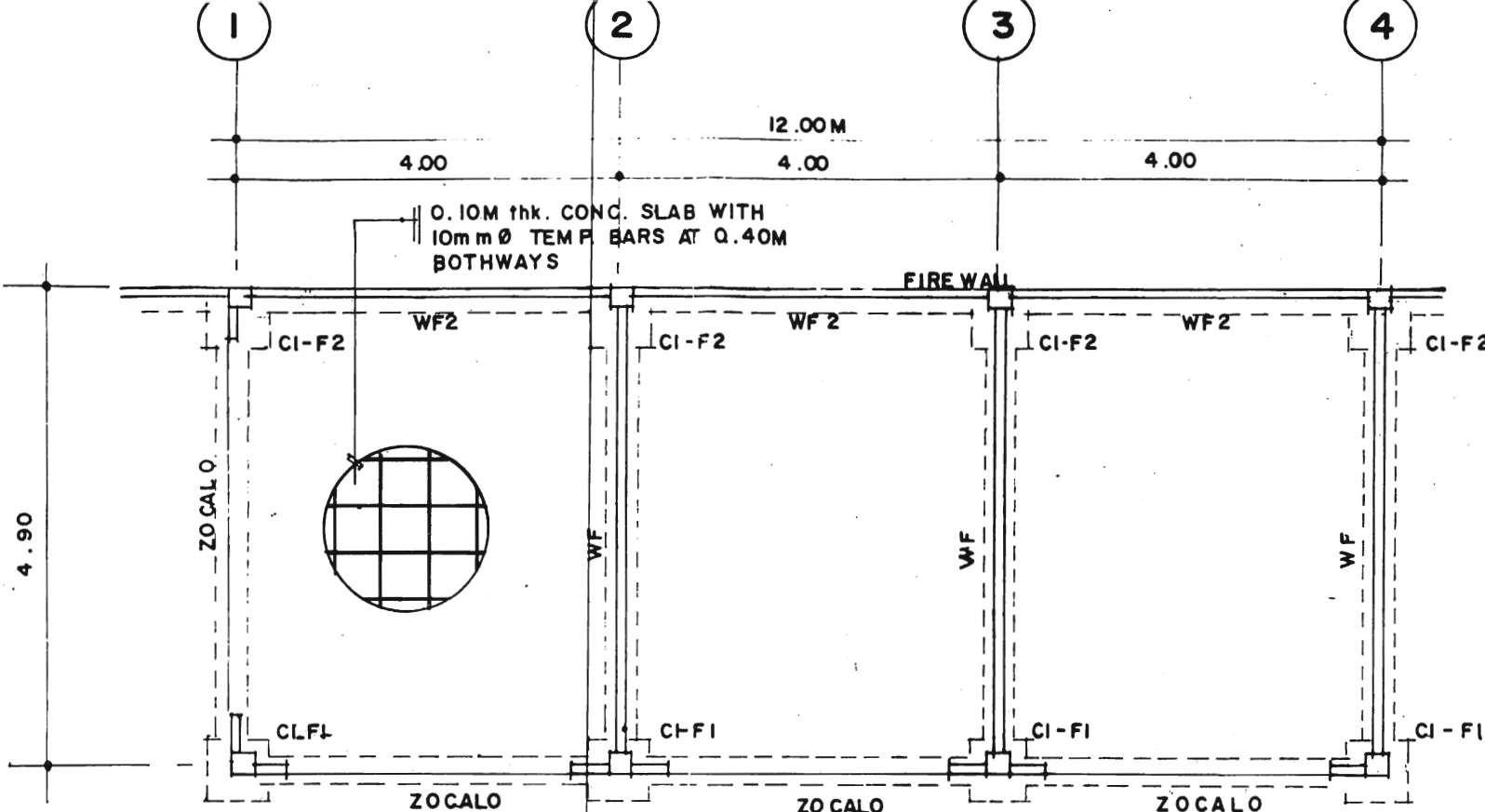
SCALE 1:15 M

LEGENDS

-  FLUORESCENT LAMP
-  PINLIGHT
-  CONVENIENCE OUTLET
-  PANEL BOARD
-  CIRCUIT LINE

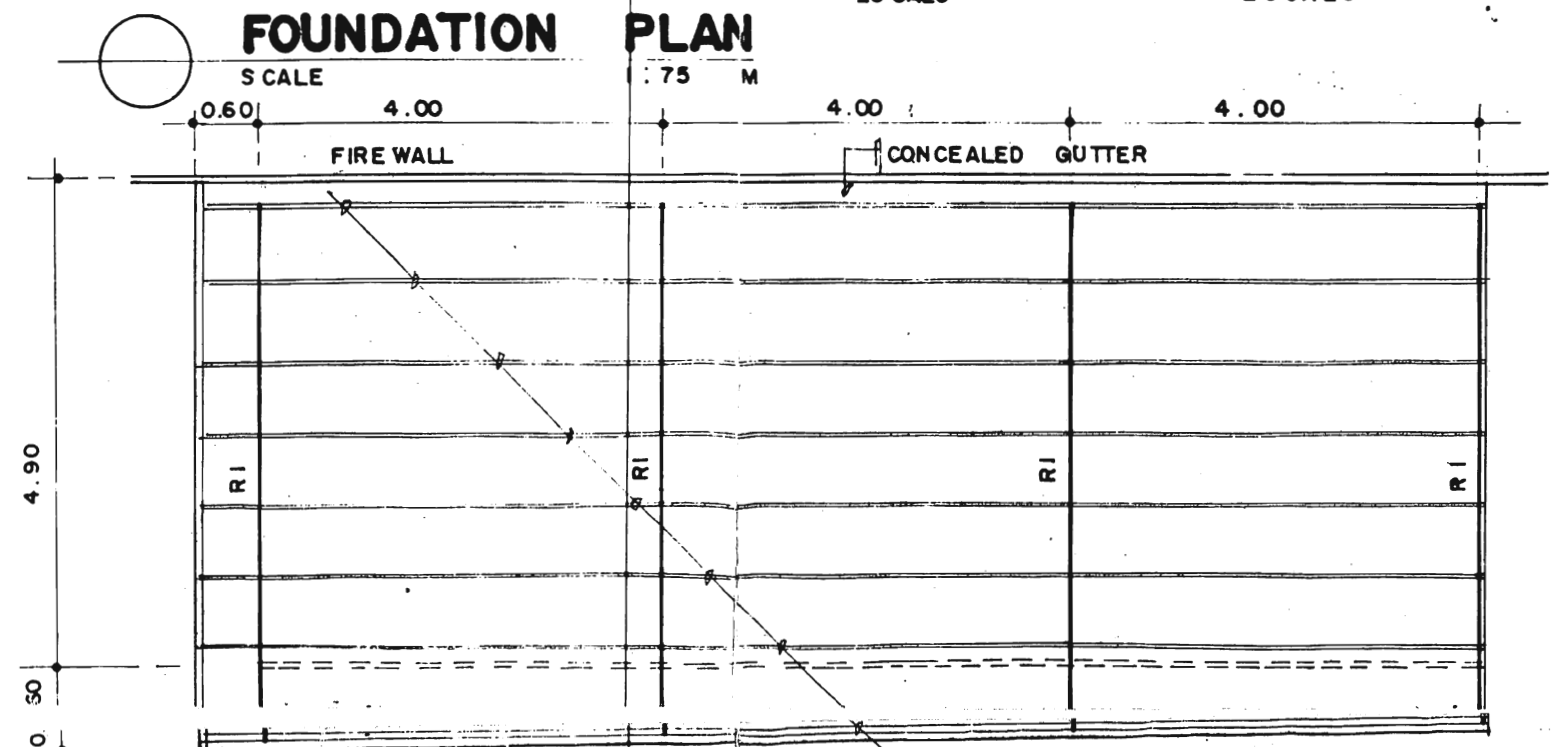
GENERAL NOTES

- ALL ELECTRICAL WORKS HEREIN SHALL CONFORM TO THE LATE APPROVED EDITION OF THE PHILIPPINE ELECTRICAL CODE WITH THE RULES AND REGULATIONS OF THE NATIONAL AND LOCAL AUTHORITY CONCERNED.
- ALL WORKS SHALL BE DONE UNDER THE DIRECT SUPERVISIO OF A DULY QUALIFIED LICENSED ELECTRICAL ENGINEER.



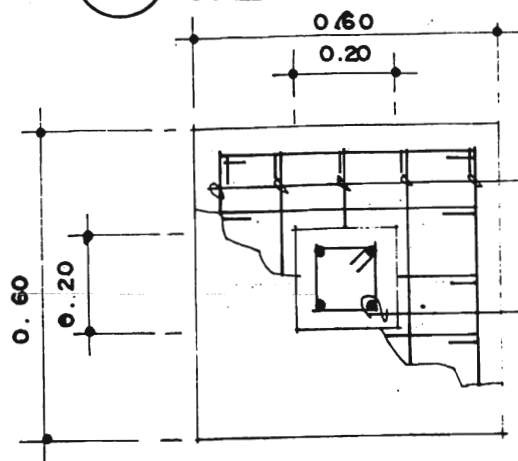
FOUNDATION PLAN

SCALE 1:75 M



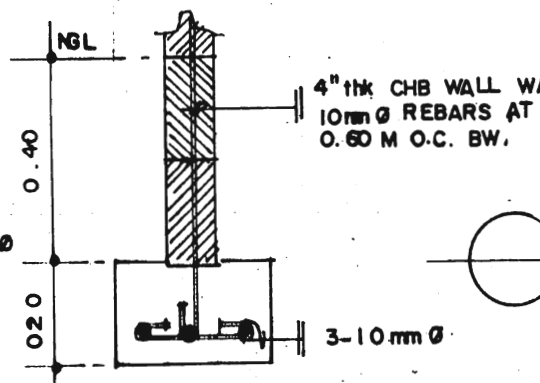
ROOF FRAMING PLAN

SCALE 1:75 M



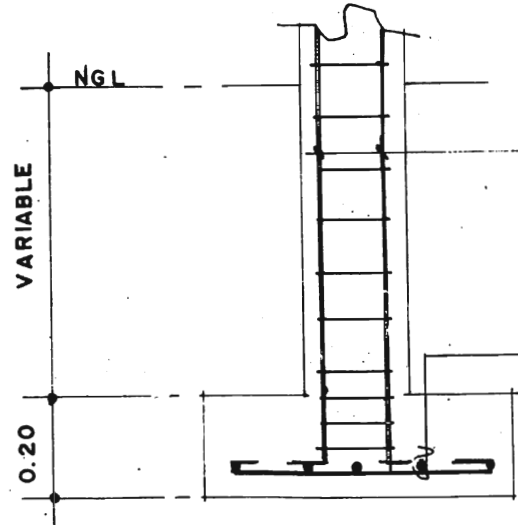
TYPICAL CI-FI DET.

SCALE 1:15 M



WF DET.

SCALE 1:15 M



LB DET.

SCALE 1:15 M

LEGENDS

- FLUORESCENT LAMP
- PINLIGHT
- CONVENIENCE OUTLET
- PANEL BOARD
- CIRCUIT LINE

GENERAL NOTES

- ALL ELECTRICAL WORKS HEREIN SHALL CONFORM TO THE LATEST APPROVED EDITION OF THE PHILIPPINE ELECTRICAL CODE WITH THE RULES AND REGULATIONS OF THE NATIONAL AND LOCAL AUTHORITY CONCERNED.
- ALL WORKS SHALL BE DONE UNDER THE DIRECT SUPERVISION OF A DULY QUALIFIED LICENSED ELECTRICAL ENGINEER.

PROJECT TITLE		OWNER
PROPOSED 3-DOOR STALL		FREDERICK R. CHIONG <i>Frederick R. Chiong</i>
LOCATION COR. CORCUERRA ST. AND N.S. VALDEROSA ST. Z.C.		ADDRESS: <i>201</i> LIM AVENUE, ZAMBUANGA CITY

SIGNED AND SEALED BY		ENGINEER	
<i>Nirold H. Codoy</i> Engr. NIROLD H. CODOY CIVIL ENGINEER			
PRC NO. 058419	PTR NO. 0672432	ELECTRICAL ENGINEER	
TIN: 112-123-729	DATE 01-05-06 SIRIGA	PRC NO.	PTR NO.
		TIN	DATE